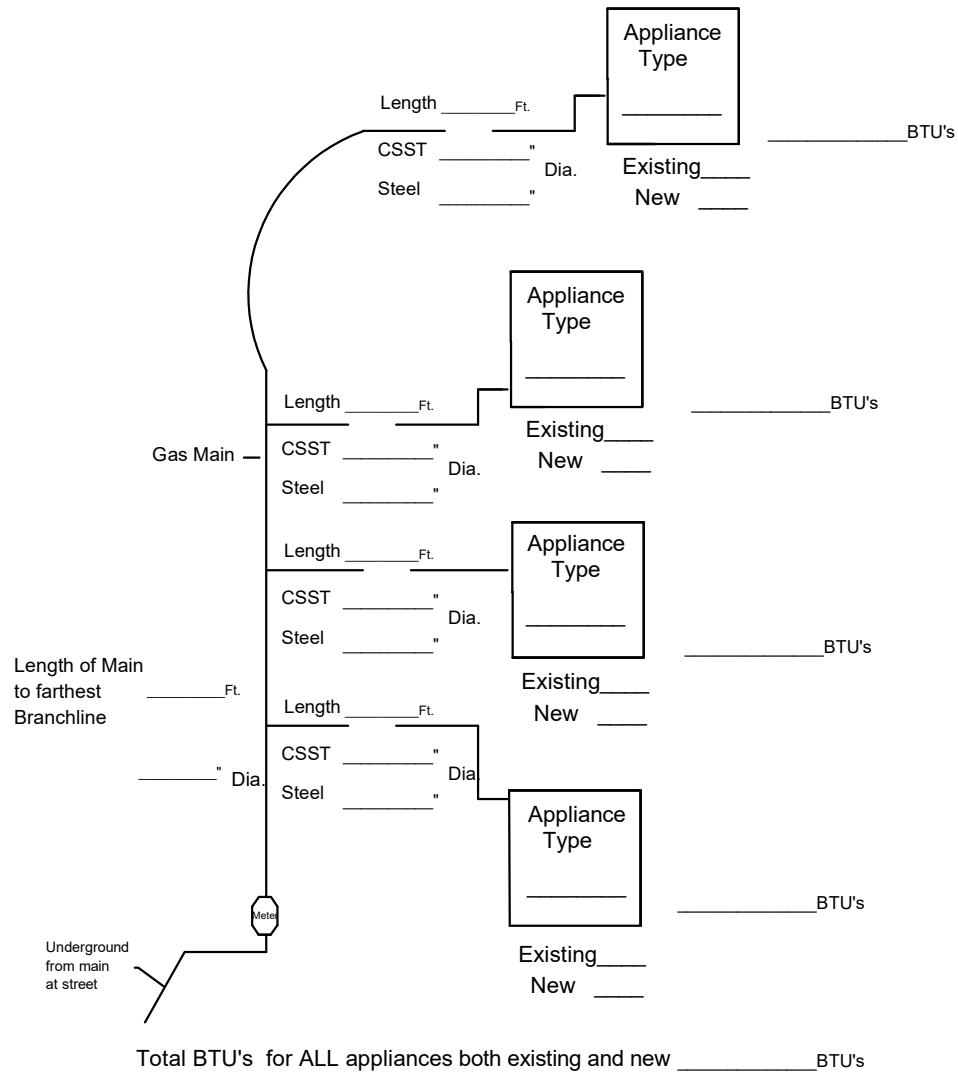


Exterior Appliance
 If Applicable



Please indicate all gas appliances both new and existing as well as their respective BTU's
 Appliance Types: Furnace, Hot Water Heater, Fireplace, Oven, Clothes Dryer, Grill
 Fire pit lighters, Pool Heaters, Generator, etc.

The following will need to be verified at the time of inspection:

- o All piping will need to be complete to at least the valve before the appliance for pressure test
- o Piping supported per 2418 and 2424 of the RCO as well as 407 and 415 of the IFGC
- o Pipe joints left exposed for the pressure test per 2417 RCO as well as 406 IFGC
- o CSST (Corrugated Stainless Steel Tubing) if used, installed per manufacturers instructions
- o Piping protected from damage (including bonding) per 2415 RCO and or 404 IFGC
- o Union fittings per 2422 RCO as well as 411 IFGC
- o Valves per 2420 RCO and or 409 IFGC
- o Sediment trap(s) per 2419 RCO and or 408 IFGC
- o Pressure tested per 2417 RCO and or 406 IFGC with gauge supplied and pressurized by contractor and or property owner and witnessed by the City of Mason Building Department
- o Exterior metallic piping protected from corrosive action per 2415 RCO and or 404 IFGC

Note: CSST manufacturers may not list their specific product as a "Flexible Appliance Connector" for moveable appliances, (although both are corrugated, there is a difference)

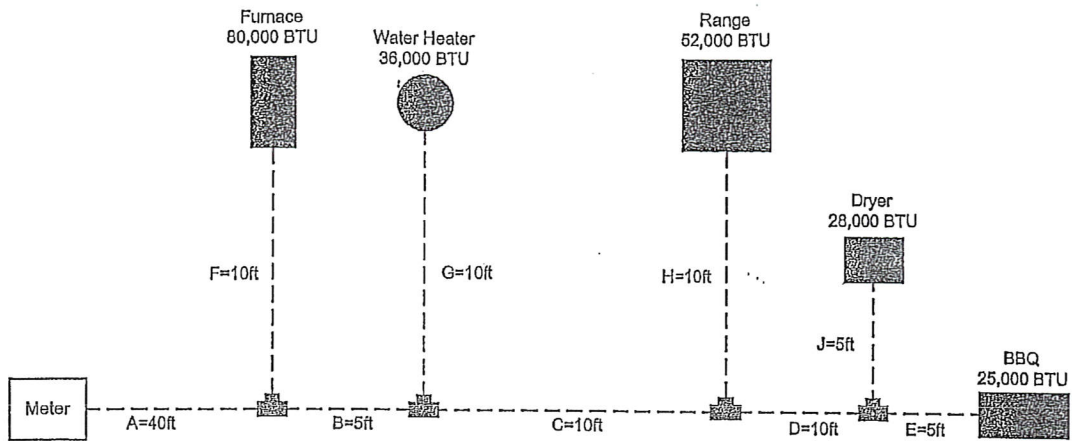
Application No.

Sheet No.

1 of 1

Residential
 Gas Line
 Drawing

SAMPLE ONLY



Section Description	Section Length	Run Length	Tube Size
"A" – Trunk	40 feet	70 feet	
"B" – Trunk	5 feet	70 feet	
"C" – Trunk	10 feet	70 feet	
"D" – Trunk	10 feet	70 feet	
"E" – BBQ	5 feet	70 feet	
"F" – Furnace	10 feet	50 feet	
"G" – Water Heater	10 feet	55 feet	
"H" – Range	10 feet	65 feet	
"J" – Dryer	5 feet	70 feet	
Run Length for Trunk Sections = Distance from meter to furthest appliance (Longest Run)			
Run Length for Appliance Sections = Distance from meter to each appliance			

SIZING RUN "A"

- Run "A" is sized by the total load of all appliances and the run length from the meter to the furthest appliance
- The total load of all appliances is $80 + 36 + 52 + 28 + 25 = 221\text{CFH}$
- The run length to the BBQ (furthest appliance) is $40 + 5 + 10 + 10 + 5 = 70\text{ft}$

SIZING RUN "B"

- Run "B" is sized by the total load of all supplied appliances and the run length from the meter to the furthest appliance
- The total load of the supplied appliances is $36 + 52 + 28 + 25 = 141\text{CFH}$
- The run length to the BBQ (furthest appliance) is $40 + 5 + 10 + 10 + 5 = 70\text{ft}$