



TRAFFIC CRASH REPORT

LOCAL REPORT NUMBER *	CRASH SEVERITY	HIT/SKIP
17-3584	3 1 - FATAL 2 - INJURY 3 - PDO	<input type="checkbox"/> 1 - SOLVED <input type="checkbox"/> 2 - UNSOLVED

LOCAL INFORMATION

<input checked="" type="checkbox"/> PHOTOS TAKEN <input type="checkbox"/> OH-2 <input type="checkbox"/> OH-1P <input type="checkbox"/> OH-3 <input type="checkbox"/> OTHER	<input type="checkbox"/> PDO UNDER STATE REPORTABLE DOLLAR AMOUNT	<input type="checkbox"/> PRIVATE PROPERTY	REPORTING AGENCY NCIC * 18304	REPORTING AGENCY NAME * MASON POLICE DEPARTMENT	NUMBER OF UNITS 01	UNIT IN ERROR 98 - ANIMAL 99 - UNKNOWN
--	---	---	----------------------------------	--	-----------------------	--

COUNTY * 83	CITY * <input checked="" type="checkbox"/> CITY <input type="checkbox"/> VILLAGE <input type="checkbox"/> TOWNSHIP	CITY, VILLAGE, TOWNSHIP * MASON	CRASH DATE * 01222017	TIME OF CRASH 1430	DAY OF WEEK SAT
----------------	---	------------------------------------	--------------------------	-----------------------	--------------------

DEGREES / MINUTES / SECONDS LATITUDE 0 / / "	LONGITUDE 0 / / "	OR	DECIMAL DEGREES LATITUDE 39.375971	LONGITUDE -84.284092
--	----------------------	----	--	-------------------------

ROADWAY DIVISION <input type="checkbox"/> DIVIDED <input checked="" type="checkbox"/> UNDIVIDED	DIVIDED LANE DIRECTION OF TRAVEL <input type="checkbox"/> N - NORTHBOUND <input type="checkbox"/> S - SOUTHBOUND <input type="checkbox"/> E - EASTBOUND <input type="checkbox"/> W - WESTBOUND	NUMBER OF THRU LANES 02	ROAD TYPES OR MILEPOST ² AL - ALLEY CR - CIRCLE HE - HEIGHTS MP - MILEPOST PL - PLACE ST - STREET WA - WAY AV - AVENUE CT - COURT HW - HIGHWAY PK - PARKWAY RD - ROAD TE - TERRACE BL - BOULEVARD DR - DRIVE LA - LANE PI - PIKE
---	--	----------------------------	--

LOCATION ROUTE NUMBER 42	LOC PREFIX N, S, E, W	LOCATION ROAD NAME	LOCATION ROUTE TYPE ¹	ROUTE TYPES ¹ IR - INTERSTATE ROUTE (INC. TURNPIKE) CR - NUMBERED COUNTY ROUTE US - US ROUTE TR - NUMBERED TOWNSHIP ROUTE SR - STATE ROUTE
-----------------------------	--------------------------	--------------------	----------------------------------	--

DISTANCE FROM REFERENCE 500	DIR FROM REF S N, S, E, W	REFERENCE ROUTE TYPE ¹	REFERENCE ROUTE NUMBER	REF PREFIX N, S, E, W	REFERENCE NAME (ROAD, MILEPOST, HOUSE #) BETHANY ROAD	REFERENCE ROAD TYPE ²
--------------------------------	---------------------------------	-----------------------------------	------------------------	--------------------------	--	----------------------------------

REFERENCE POINT USED 1 - INTERSECTION 2 - MILE POST 3 - HOUSE NUMBER	CRASH LOCATION 01 01 - NOT AN INTERSECTION 02 - FOUR-WAY INTERSECTION 03 - T-INTERSECTION 04 - Y-INTERSECTION 05 - TRAFFIC CIRCLE/ROUNDBOUT 06 - FIVE-POINT, OR MORE 07 - ON RAMP 08 - OFF RAMP 09 - CROSSOVER 10 - DRIVEWAY/ALLEY ACCESS 11 - RAILWAY GRADE CROSSING 12 - SHARED-USE PATHS OR TRAILS 99 - UNKNOWN	<input type="checkbox"/> INTERSECTION RELATED	LOCATION OF FIRST HARMFUL EVENT 1 - ON ROADWAY 2 - ON SHOULDER 3 - IN MEDIAN 4 - ON ROADSIDE 5 - ON GORE 6 - OUTSIDE TRAFFICWAY 9 - UNKNOWN
---	--	---	--

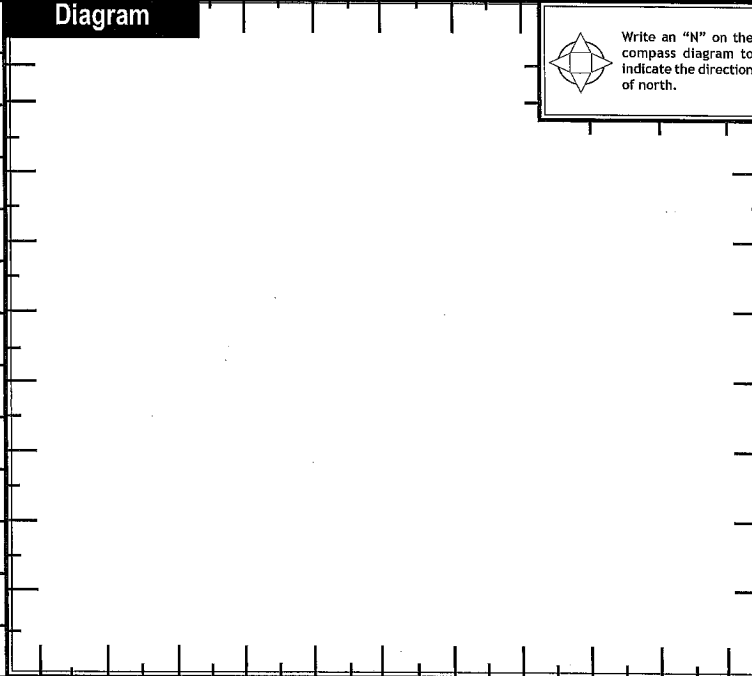
ROAD CONTOUR 2 1 - STRAIGHT LEVEL 2 - STRAIGHT GRADE 3 - CURVE LEVEL 4 - CURVE GRADE 9 - UNKNOWN	ROAD CONDITIONS PRIMARY 01 SECONDARY 02 03 04	01 - DRY 02 - WET 03 - SNOW 04 - ICE 05 - SAND, MUD, DIRT, OIL, GRAVEL 06 - WATER (STANDING, MOVING) 07 - SLUSH 08 - DEBRIS* 09 - RUT, HOLES, BUMPS, UNEVEN PAVEMENT* 10 - OTHER 99 - UNKNOWN	* SECONDARY CONDITION ONLY
--	---	---	----------------------------

MANNER OF CRASH COLLISION/IMPACT 1 - NOT COLLISION BETWEEN TWO MOTOR VEHICLES IN TRANSPORT 2 - REAR-END 3 - HEAD-ON 4 - REAR-TO-REAR 5 - BACKING 6 - ANGLE 7 - SIDESWIPE, SAME DIRECTION 8 - SIDESWIPE, OPPOSITE DIRECTION 9 - UNKNOWN	WEATHER 1 1 - CLEAR 2 - CLOUDY 3 - FOG, SMOG, SMOKE 4 - RAIN 5 - SLEET, HAIL 6 - SNOW 7 - SEVERE CROSSWINDS 8 - BLOWING SAND, SOIL, DIRT, SNOW 9 - OTHER/UNKNOWN
---	--

ROAD SURFACE 2 1 - CONCRETE 2 - BLACKTOP, BITUMINOUS, ASPHALT 3 - BRICK/BLOCK 4 - SLAG, GRAVEL, STONE 5 - DIRT 6 - OTHER	LIGHT CONDITIONS PRIMARY 1 SECONDARY 02 03 04	1 - DAYLIGHT 2 - DAWN 3 - DUSK 4 - DARK - LIGHTED ROADWAY 5 - DARK - ROADWAY NOT LIGHTED 6 - DARK - UNKNOWN ROADWAY LIGHTING 7 - GLARE* 8 - OTHER 9 - UNKNOWN	<input type="checkbox"/> SCHOOL BUS RELATED <input type="checkbox"/> YES, SCHOOL BUS DIRECTLY INVOLVED <input type="checkbox"/> YES, SCHOOL BUS INDIRECTLY INVOLVED
---	---	---	---

<input type="checkbox"/> WORK ZONE RELATED	<input type="checkbox"/> WORKERS PRESENT	<input type="checkbox"/> LAW ENFORCEMENT PRESENT (OFFICER/VEHICLE)	<input type="checkbox"/> LAW ENFORCEMENT PRESENT (VEHICLE ONLY)	TYPE OF WORK ZONE 1 - LANE CLOSURE 2 - LANE SHIFT/CROSSOVER 3 - WORK ON SHOULDER OR MEDIAN 4 - INTERMITTENT OR MOVING WORK 5 - OTHER	LOCATION OF CRASH IN WORK ZONE 1 - BEFORE THE FIRST WORK ZONE WARNING SIGN 2 - ADVANCE WARNING AREA 3 - TRANSITION AREA 4 - ACTIVITY AREA 5 - TERMINATION AREA
--	--	--	---	---	---

NARRATIVE
UNIT #1 WAS TRAVELING SOUTH ON U.S. 42 NEAR BETHANY ROAD WHEN A DEER ATTEMPTED TO CROSS THE ROAD, CAUSING UNIT #1 TO STRIKE THE DEER.



REPORT TAKEN BY <input checked="" type="checkbox"/> POLICE AGENCY <input type="checkbox"/> MOTORIST	<input type="checkbox"/> SUPPLEMENT (CORRECTION OR ADDITION TO AN EXISTING REPORT SENT TO ODPS)	DATE CRASH REPORTED 01222017	TIME CRASH REPORTED 1430	DISPATCH TIME 1430	ARRIVAL TIME 1449	TIME CLEARED 1517	OTHER INVESTIGATION TIME 130	TOTAL MINUTES 58
OFFICER'S NAME * P.O. C. Brown	OFFICER'S BADGE NUMBER 28	CHECKED BY 37 50	PAGE OF					



MOTORIST / Non-MOTORIST / OCCUPANT

LOCAL REPORT NUMBER

17-3584

UNIT NUMBER 01	NAME: LAST, FIRST, MIDDLE CARTER, ANGELA, L	DATE OF BIRTH 05/21/79	AGE 37	GENDER F - FEMALE M - MALE
-------------------	--	---------------------------	-----------	----------------------------------

ADDRESS, CITY, STATE, ZIP 4230 U.S. 42 MASON, OHIO 45040	CONTACT PHONE- INCLUDE AREA CODE (513) 885-1790
---	--

INJURIES 1	INJURED TAKEN BY	EMS AGENCY	MEDICAL FACILITY INJURED TAKEN TO	SAFETY EQUIPMENT USED 04	DOT COMPLIANT MOTORCYCLE HELMET	SEATING POSITION 31	AIR BAG USAGE 1	EJECTION 1	TRAPPED 1
---------------	------------------	------------	-----------------------------------	-----------------------------	------------------------------------	------------------------	--------------------	---------------	--------------

OL STATE OH	OPERATOR LICENSE NUMBER RL150577	OL CLASS D	No VALID OL	M/C END.	CONDITION 1	ALCOHOL/DRUG SUSPECTED 1	ALCOHOL TEST STATUS 1	ALCOHOL TEST TYPE 1	ALCOHOL TEST VALUE	DRUG TEST STATUS 1	DRUG TEST TYPE 1
----------------	-------------------------------------	---------------	----------------	-------------	----------------	-----------------------------	--------------------------	------------------------	--------------------	-----------------------	---------------------

OFFENSE CHARGED (Local Code)	OFFENSE DESCRIPTION	CITATION NUMBER	HANDS-FREE DEVICE USED	DRIVER DISTRACTED BY
-------------------------------	---------------------	-----------------	---------------------------	----------------------

UNIT NUMBER	NAME: LAST, FIRST, MIDDLE	DATE OF BIRTH	AGE	GENDER F - FEMALE M - MALE
-------------	---------------------------	---------------	-----	----------------------------------

ADDRESS, CITY, STATE, ZIP	CONTACT PHONE- INCLUDE AREA CODE
---------------------------	----------------------------------

INJURIES	INJURED TAKEN BY	EMS AGENCY	MEDICAL FACILITY INJURED TAKEN TO	SAFETY EQUIPMENT USED	DOT COMPLIANT MOTORCYCLE HELMET	SEATING POSITION	AIR BAG USAGE	EJECTION	TRAPPED
----------	------------------	------------	-----------------------------------	-----------------------	------------------------------------	------------------	---------------	----------	---------

OL STATE	OPERATOR LICENSE NUMBER	OL CLASS	No VALID OL	M/C END.	CONDITION	ALCOHOL/DRUG SUSPECTED	ALCOHOL TEST STATUS	ALCOHOL TEST TYPE	ALCOHOL TEST VALUE	DRUG TEST STATUS	DRUG TEST TYPE
----------	-------------------------	----------	----------------	-------------	-----------	------------------------	---------------------	-------------------	--------------------	------------------	----------------

OFFENSE CHARGED (Local Code)	OFFENSE DESCRIPTION	CITATION NUMBER	HANDS-FREE DEVICE USED	DRIVER DISTRACTED BY
-------------------------------	---------------------	-----------------	---------------------------	----------------------

INJURIES 1 - NO INJURY / NONE REPORTED 2 - POSSIBLE 3 - NON-INCAPACITATING 4 - INCAPACITATING 5 - FATAL	INJURED TAKEN BY 1 - NOT TRANSPORTED / TREATED AT SCENE 2 - EMS 3 - POLICE 4 - OTHER 9 - UNKNOWN	SAFETY EQUIPMENT USED MOTORIST 01 - NONE USED - VEHICLE OCCUPANT 02 - SHOULDER BELT ONLY USED 03 - LAP BELT ONLY USED 04 - SHOULDER AND LAP BELT USED	99 - UNKNOWN SAFETY EQUIPMENT Non-Motorist 05 - CHILD RESTRAINT SYSTEM-FORWARD FACING 06 - CHILD RESTRAINT SYSTEM- REAR FACING 07 - BOOSTER SEAT 08 - HELMET USED	10 - NONE USED 11 - HELMET USED 12 - REFLECTIVE CLOTHING 13 - LIGHTING 14 - OTHER 15 - PROTECTIVE PADS USED (ELBOWS, KNEES, ETC)
--	---	---	---	---

SEATING POSITION 01 - FRONT - LEFT SIDE (MOTORCYCLE DRIVER) 02 - FRONT - MIDDLE 03 - FRONT - RIGHT SIDE 04 - SECOND - LEFT SIDE (MOTORCYCLE PASSENGER) 05 - SECOND - MIDDLE 06 - SECOND - RIGHT SIDE	07 - THIRD - LEFT SIDE (MOTORCYCLE SIDE CAR) 08 - THIRD - MIDDLE 09 - THIRD - RIGHT SIDE 10 - SLEEPER SECTION OF CAB (TRUCK) 11 - PASSENGER IN OTHER ENCLOSED CARGO AREA (NON-TRAILING UNIT SUCH AS A BUS, PICK-UP WITH CAP)	12 - PASSENGER IN UNENCLOSED CARGO AREA 13 - TRAILING UNIT 14 - RIDING ON VEHICLE EXTERIOR (NON-TRAILING UNIT) 15 - NON-MOTORIST 16 - OTHER 99 - UNKNOWN	AIR BAG USAGE 1 - NOT DEPLOYED 2 - DEPLOYED FRONT 3 - DEPLOYED SIDE 4 - DEPLOYED BOTH FRONT/SIDE 5 - NOT APPLICABLE 9 - DEPLOYMENT UNKNOWN
--	--	---	--

EJECTION 1 - NOT EJECTED 2 - TOTALLY EJECTED 3 - PARTIALLY EJECTED 4 - NOT APPLICABLE	TRAPPED 1 - NOT TRAPPED 2 - EXTRICATED BY MECHANICAL MEANS 3 - EXTRICATED BY NON-MECHANICAL MEANS	OPERATOR LICENSE CLASS 1 - CLASS A 2 - CLASS B 3 - CLASS C 4 - REGULAR CLASS (OHIO IS "D") 5 - MC/MOPED ONLY	CONDITION 1 - APPARENTLY NORMAL 2 - PHYSICAL IMPAIRMENT 3 - EMOTIONAL (DEPRESSED, ANGRY, DISTURBED) 4 - ILLNESS	5 - FELL ASLEEP, FAINTED, FATIGUED 6 - UNDER THE INFLUENCE OF MEDICATIONS, DRUGS, ALCOHOL 7 - OTHER	ALCOHOL/DRUG SUSPECTED 1 - NONE 2 - YES - ALCOHOL SUSPECTED 3 - YES - HBD NOT IMPAIRED 4 - YES - DRUGS SUSPECTED 5 - YES - ALCOHOL AND DRUGS SUSPECTED
---	--	---	---	---	---

ALCOHOL TEST STATUS 1 - NONE GIVEN 2 - TEST REFUSED 3 - TEST GIVEN, CONTAMINATED SAMPLE/UNUSABLE 4 - TEST GIVEN, RESULTS KNOWN 5 - TEST GIVEN, RESULTS UNKNOWN	ALCOHOL TEST TYPE 1 - NONE 2 - BLOOD 3 - URINE 4 - BREATH 5 - OTHER	DRUG TEST STATUS 1 - NONE GIVEN 2 - TEST REFUSED 3 - TEST GIVEN, CONTAMINATED SAMPLE/UNUSABLE 4 - TEST GIVEN, RESULTS KNOWN 5 - TEST GIVEN, RESULTS UNKNOWN	DRUG TEST TYPE 1 - NONE 2 - BLOOD 3 - URINE 4 - OTHER	DRIVER DISTRACTED BY 1 - NO DISTRACTION REPORTED 2 - PHONE 3 - TEXTING/E-MAILING 4 - ELECTRONIC COMMUNICATION DEVICE 5 - OTHER ELECTRONIC DEVICE (NAVIGATION DEVICE, RADIO, DVD)	6 - OTHER INSIDE THE VEHICLE 7 - EXTERNAL DISTRACTION
---	--	--	---	---	--

UNIT NUMBER	NAME: LAST, FIRST, MIDDLE	DATE OF BIRTH	AGE	GENDER F - FEMALE M - MALE
-------------	---------------------------	---------------	-----	----------------------------------

ADDRESS, CITY, STATE, ZIP	CONTACT PHONE- INCLUDE AREA CODE
---------------------------	----------------------------------

INJURIES	INJURED TAKEN BY	EMS AGENCY	MEDICAL FACILITY INJURED TAKEN TO	SAFETY EQUIPMENT USED	DOT COMPLIANT MOTORCYCLE HELMET	SEATING POSITION	AIR BAG USAGE	EJECTION	TRAPPED
----------	------------------	------------	-----------------------------------	-----------------------	------------------------------------	------------------	---------------	----------	---------

UNIT NUMBER	NAME: LAST, FIRST, MIDDLE	DATE OF BIRTH	AGE	GENDER F - FEMALE M - MALE
-------------	---------------------------	---------------	-----	----------------------------------

ADDRESS, CITY, STATE, ZIP	CONTACT PHONE- INCLUDE AREA CODE
---------------------------	----------------------------------

INJURIES	INJURED TAKEN BY	EMS AGENCY	MEDICAL FACILITY INJURED TAKEN TO	SAFETY EQUIPMENT USED	DOT COMPLIANT MOTORCYCLE HELMET	SEATING POSITION	AIR BAG USAGE	EJECTION	TRAPPED
----------	------------------	------------	-----------------------------------	-----------------------	------------------------------------	------------------	---------------	----------	---------



UNIT

LOCAL REPORT NUMBER

17-3584

UNIT NUMBER 101	OWNER NAME: LAST, FIRST, MIDDLE <input checked="" type="checkbox"/> SAME AS DRIVER	OWNER PHONE NUMBER - INC. AREA CODE <input checked="" type="checkbox"/> SAME AS DRIVER	DAMAGE SCALE 2	DAMAGED AREA
OWNER ADDRESS: CITY, STATE, ZIP <input checked="" type="checkbox"/> SAME AS DRIVER			1 - NONE	
LP STATE OH	LICENSE PLATE NUMBER GMK 5504	VEHICLE IDENTIFICATION NUMBER 5X YK T 4 A 7 2 E G 4 5 4 0 7 5	2 - MINOR	
VEHICLE YEAR 2014	VEHICLE MAKE KIA	VEHICLE MODEL SORENTO	3 - FUNCTIONAL	
VEHICLE COLOR BLACK	INSURANCE COMPANY GEICO	POLICY NUMBER 4371953528	4 - DISABLING	
<input checked="" type="checkbox"/> PROOF OF INSURANCE SHOWN	TOWED BY N/A		9 - UNKNOWN	
CARRIER NAME, ADDRESS, CITY, STATE, ZIP			CARRIER PHONE - INCLUDE AREA CODE	

US DOT	VEHICLE WEIGHT GVWR/GCWR 1 1 - LESS THAN OR EQUAL TO 10K LBS. 2 - 10,001 TO 26,000 LBS. 3 - MORE THAN 26,000 LBS.	CARGO BODY TYPE 01 01 - NO CARGO BODY TYPE/NOT APPLICABLE 02 - BUS/VAN (9-15 SEATS, INC DRIVER) 03 - BUS (16+ SEATS, INC DRIVER) 04 - VEHICLE TOWING ANOTHER VEHICLE 05 - LOGGING 06 - INTERMODAL CONTAINER CHASSIS 07 - CARGO VAN/ENCLOSED BOX 08 - GRAIN, CHIPS, GRAVEL	TRAFFICWAY DESCRIPTION 1 1 - TWO-WAY, NOT DIVIDED 2 - TWO-WAY, NOT DIVIDED, CONTINUOUS LEFT TURN LANE 3 - TWO-WAY, DIVIDED, UNPROTECTED (PAINTED OR GRASS > 4 FT.) MEDIAN 4 - TWO-WAY, DIVIDED, POSITIVE MEDIAN BARRIER 5 - ONE-WAY TRAFFICWAY
HM PLACARD ID NO.	<input type="checkbox"/> HAZARDOUS MATERIAL RELEASED	09 - POLE 10 - CARGO TANK 11 - FLAT BED 12 - DUMP 13 - CONCRETE MIXER 14 - AUTO TRANSPORTER 15 - GARBAGE/REFUSE 99 - OTHER/UNKNOWN	<input type="checkbox"/> HIT / SKIP UNIT
HM CLASS NUMBER			

NON-MOTORIST LOCATION PRIOR TO IMPACT 01 01 - INTERSECTION - MARKED CROSSWALK 02 - INTERSECTION - NO CROSSWALK 03 - INTERSECTION - OTHER 04 - MIDBLOCK - MARKED CROSSWALK 05 - TRAVEL LANE - OTHER LOCATION 06 - BICYCLE LANE 07 - SHOULDER/ROADSIDE 08 - SIDEWALK 09 - MEDIAN/CROSSING ISLAND 10 - DRIVEWAY ACCESS 11 - SHARED-USE PATH OR TRAIL 12 - NON-TRAFFICWAY AREA 99 - OTHER/UNKNOWN	TYPE OF USE 1 1 - PERSONAL 2 - COMMERCIAL 3 - GOVERNMENT <input type="checkbox"/> IN EMERGENCY RESPONSE	UNIT TYPE 06 PASSENGER VEHICLES (LESS THAN 9 PASSENGERS) 01 - SUB-COMPACT 02 - COMPACT 03 - MID SIZE 04 - FULL SIZE 05 - MINIVAN 06 - SPORT UTILITY VEHICLE 07 - PICKUP 08 - VAN 09 - MOTORCYCLE 10 - MOTORIZED BICYCLE 11 - SNOWMOBILE/ATV 12 - OTHER PASSENGER VEHICLE MED/HEAVY TRUCKS OR COMBO UNITS > 10K LBS 13 - SINGLE UNIT TRUCK OR VAN 2AXLE, 6 TIRES 14 - SINGLE UNIT TRUCK; 3+ AXLES 15 - SINGLE UNIT TRUCK / TRAILER 16 - TRUCK/TRACTOR (BOBTAIL) 17 - TRACTOR/SEMI-TRAILER 18 - TRACTOR/DOUBLE 19 - TRACTOR/TRIPLES 20 - OTHER MED/HEAVY VEHICLE BUS/VAN/LIMO (9 OR MORE INCLUDING DRIVER) 21 - BUS/VAN (9-15 SEATS, INC DRIVER) 22 - BUS (16+ SEATS, INC DRIVER) Non-Motorist 23 - ANIMAL WITH RIDER 24 - ANIMAL WITH BUGGY, WAGON, SURREY 25 - BICYCLE/PEDALCYCLIST 26 - PEDESTRIAN/SKATER 27 - OTHER NON-MOTORIST	<input type="checkbox"/> HAS HM PLACARD
--	---	---	---

SPECIAL FUNCTION 01 01 - NONE 02 - TAXI 03 - RENTAL TRUCK (OVER 10K LBS) 04 - BUS - SCHOOL (PUBLIC OR PRIVATE) 05 - BUS - TRANSIT 06 - BUS - CHARTER 07 - BUS - SHUTTLE 08 - BUS - OTHER 09 - AMBULANCE 10 - FIRE 11 - HIGHWAY/MAINTENANCE 12 - MILITARY 13 - POLICE 14 - PUBLIC UTILITY 15 - OTHER GOVERNMENT 16 - CONSTRUCTION EQUIP. 17 - FARM VEHICLE 18 - FARM EQUIPMENT 19 - MOTORHOME 20 - GOLF CART 21 - TRAIN 22 - OTHER (EXPLAIN IN NARRATIVE)	MOST DAMAGED AREA 09 01 - NONE 02 - CENTER FRONT 03 - RIGHT FRONT 04 - RIGHT SIDE 05 - RIGHT REAR 06 - REAR CENTER 07 - LEFT REAR 08 - LEFT SIDE 09 - LEFT FRONT 10 - TOP AND WINDOWS 11 - UNDERCARRIAGE 12 - LOAD/TRAILER 13 - TOTAL(ALL AREAS) 14 - OTHER 99 - UNKNOWN	ACTION 3 1 - NON-CONTACT 2 - NON-COLLISION 3 - STRIKING 4 - STRUCK 5 - STRIKING/STUCK 9 - UNKNOWN
--	---	---

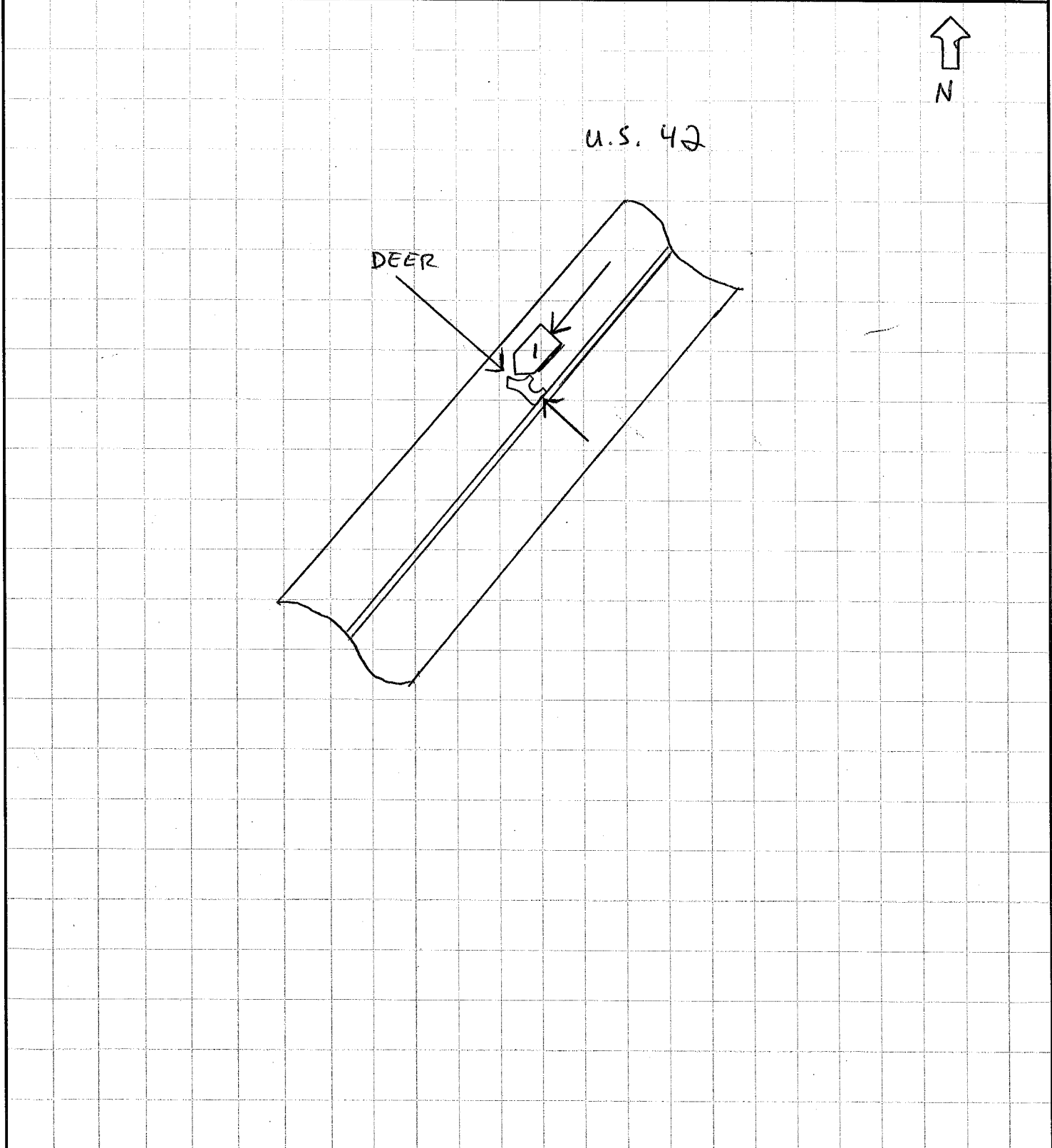
PRE-CRASH ACTIONS 01 01 - STRAIGHT AHEAD 02 - BACKING 03 - CHANGING LANES 04 - OVERTAKING/PASSING 05 - MAKING RIGHT TURN 06 - MAKING LEFT TURN 07 - MAKING U-TURN 08 - ENTERING TRAFFIC LANE 09 - LEAVING TRAFFIC LANE 10 - PARKED 11 - SLOWING OR STOPPED IN TRAFFIC 12 - DRIVERLESS 13 - NEGOTIATING A CURVE 14 - OTHER MOTORIST ACTION Non-Motorist 15 - ENTERING OR CROSSING SPECIFIED LOCATION 16 - WALKING, RUNNING, JOGGING, PLAYING, CYCLING 17 - WORKING 18 - PUSHING VEHICLE 19 - APPROACHING OR LEAVING VEHICLE 20 - STANDING 21 - OTHER NON-MOTORIST ACTION

CONTRIBUTING CIRCUMSTANCES PRIMARY 01 01 - NONE 02 - FAILURE TO YIELD 03 - RAN RED LIGHT 04 - RAN STOP SIGN 05 - EXCEEDED SPEED LIMIT 06 - UNSAFE SPEED 07 - IMPROPER TURN 08 - LEFT OF CENTER 09 - FOLLOWED TOO CLOSELY/ACDA 10 - IMPROPER LANE CHANGE /PASSING/OFF ROAD SECONDARY 01 11 - IMPROPER BACKING 12 - IMPROPER START FROM PARKED POSITION 13 - STOPPED OR PARKED ILLEGALLY 14 - OPERATING VEHICLE IN NEGLIGENT MANNER 15 - SWERVING TO AVOID (DUE TO EXTERNAL CONDITIONS) 16 - WRONG SIDE/WRONG WAY 17 - FAILURE TO CONTROL 18 - VISION OBSTRUCTION 19 - OPERATING DEFECTIVE EQUIPMENT 20 - LOAD SHIFTING/FALLING/SPILLING 21 - OTHER IMPROPER ACTION	VEHICLE DEFECTS 01 01 - TURN SIGNALS 02 - HEAD LAMPS 03 - TAIL LAMPS 04 - BRAKES 05 - STEERING 06 - TIRE BLOWOUT 07 - WORN OR SLUCK TIRES 08 - TRAILER EQUIPMENT DEFECTIVE 09 - MOTOR TROUBLE 10 - DISABLED FROM PRIOR ACCIDENT 11 - OTHER DEFECTS
--	---

SEQUENCE OF EVENTS 1 18 2 01 3 01 4 01 5 01 6 01 FIRST HARMFUL EVENT 1 MOST HARMFUL EVENT 1 COLLISION WITH PERSON, VEHICLE OR OBJECT NOT FIXED 14 - PEDESTRIAN 15 - PEDALCYCLE 16 - RAILWAY VEHICLE (TRAIN, ENGINE) 17 - ANIMAL - FARM 18 - ANIMAL - DEER 19 - ANIMAL - OTHER 20 - MOTOR VEHICLE IN TRANSPORT 21 - PARKED MOTOR VEHICLE 22 - WORK ZONE MAINTENANCE EQUIPMENT 23 - STRUCK BY FALLING, SHIFTING CARGO OR ANYTHING SET IN MOTION BY A MOTOR VEHICLE 24 - OTHER MOVABLE OBJECT Non-Collision Events 01 - OVERTURN/ROLLOVER 02 - FIRE/EXPLOSION 03 - IMMERSION 04 - JACKKNIFE 05 - CARGO/EQUIPMENT LOSS OR SHIFT 06 - EQUIPMENT FAILURE (BLOWN TIRE, BRAKE FAILURE, ETC) 07 - SEPARATION OF UNITS 08 - RAN OFF ROAD RIGHT 09 - RAN OFF ROAD LEFT 10 - CROSS MEDIAN 11 - CROSS CENTER LINE OPPOSITE DIRECTION OF TRAVEL 12 - DOWNHILL RUNAWAY 13 - OTHER NON-COLLISION Collision With Fixed Object 25 - IMPACT ATTENUATOR/CRASH CUSHION 26 - BRIDGE OVERHEAD STRUCTURE 27 - BRIDGE PIER OR ABUTMENT 28 - BRIDGE PARAPET 29 - BRIDGE RAIL 30 - GUARDRAIL FACE 31 - GUARDRAIL END 32 - PORTABLE BARRIER 33 - MEDIAN CABLE BARRIER 34 - MEDIAN GUARDRAIL BARRIER 35 - MEDIAN CONCRETE BARRIER 36 - MEDIAN OTHER BARRIER 37 - TRAFFIC SIGN POST 38 - OVERHEAD SIGN POST 39 - LIGHT/LUMINARIES SUPPORT 40 - UTILITY POLE 41 - OTHER POST, POLE OR SUPPORT 42 - CULVERT 43 - CURB 44 - DITCH 45 - EMBANKMENT 46 - FENCE 47 - MAILBOX 48 - TREE 49 - FIRE HYDRANT 50 - WORK ZONE MAINTENANCE EQUIPMENT 51 - WALL, BUILDING, TUNNEL 52 - OTHER FIXED OBJECT
--

UNIT SPEED 25	POSTED SPEED 50	TRAFFIC CONTROL 12 01 - NO CONTROLS 02 - STOP SIGN 03 - YIELD SIGN 04 - TRAFFIC SIGNAL 05 - TRAFFIC FLASHERS 06 - SCHOOL ZONE 07 - RAILROAD CROSSBUCKS 08 - RAILROAD FLASHERS 09 - RAILROAD GATES 10 - CONSTRUCTION BARRICADE 11 - PERSON (FLAGGER, OFFICER) 12 - PAVEMENT MARKINGS 13 - CROSSWALK LINES 14 - WALK/DON'T WALK 15 - OTHER 16 - NOT REPORTED	UNIT DIRECTION FROM 5 TO 8 1 - NORTH 2 - SOUTH 3 - EAST 4 - WEST 5 - NORTHEAST 6 - NORTHWEST 7 - SOUTHEAST 8 - SOUTHWEST 9 - UNKNOWN
-------------------------	---------------------------	--	--

LOCAL REPORT NUMBER 17-3584	REPORTING AGENCY MASON POLICE DEPARTMENT	DATE OF CRASH M 01 022 Y 17
IN COUNTY OF WARREN	CRASH LOCATION U.S. 42 MP 4.7	



OFFICER'S SIGNATURE X P.O. C. Mowbray	BADGE NUMBER 28
---	---------------------------

LOCAL REPORT NUMBER 17-3584	REPORTING AGENCY MASON POLICE DEPARTMENT	DATE OF CRASH MOI D 22 Y 17
---------------------------------------	--	---

FOR LOCAL USE ONLY - DO NOT SUBMIT TO THE STATE EXCEPT FOR FATAL CRASHES

I, Angela L. Carter PRINTED HEREBY MAKE THIS VOLUNTARY STATEMENT TO
P.O.C. BOWER AT 4230 U.S. 42
OFFICER'S NAME LOCATION


Q: WHAT HAPPENED?
A: Pulled out of Driveway on to 42. Looked up to see Deer coming into lane from between property line + old Sewer plant. Hit deer on front drivers side after slowing to ^{20/25} ~~20/30~~ mph. Deer rolled into side of road. Turned @ Nixco and returned home.
 Noted damage to front of car.

Q: WHAT DIRECTION WERE YOU GOING
A: TOWARDS MASON; SOUTH

Q: ARE YOU INJURED?
A: NO

Q: WERE YOU WEARING YOUR SB?
A: YES

Q: APP. WHAT TIME
A: 1330 - 1345

ADDRESS OF WITNESS 4230 St Rt 42 Mason OH 45040 45040	PHONE 513-885-1790
SIGNATURE OF WITNESS X 	OFFICER'S SIGNATURE X P.O.C. Bower 